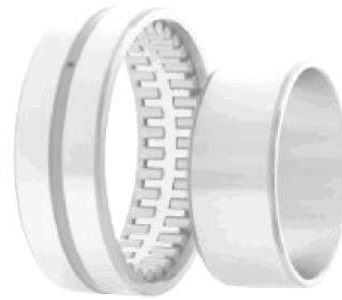
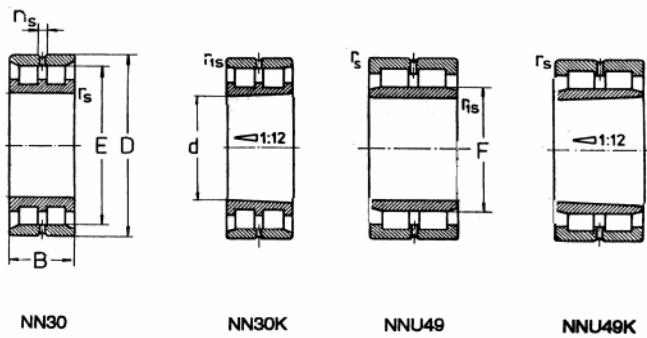


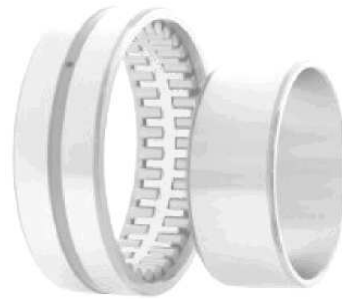
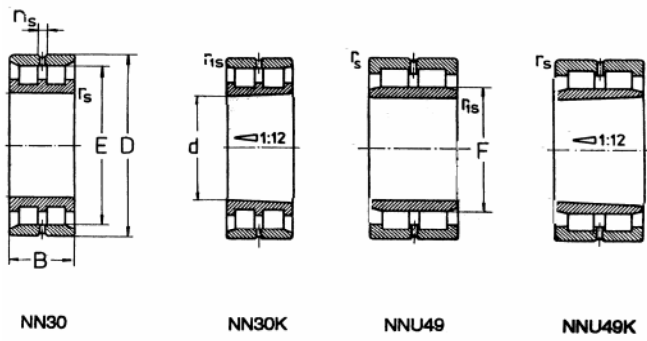
## DOUBLE ROW CYLINDRICAL ROLLER BEARINGS



Option: Cylindrical bore; W33

Bearing		Principal dimensions			Load ratings		Speed limits		Weight	Dimensions			
Type	Version	d mm	D	B	Co kN	Cor kN	grease r/min	oil r/min	kg	F	E	rs mm	ns
NN 3006	K M NA	30	55	19	29,0	38	11000	14000	0,192		48,5	1,0	4,5
NN 3007	K M NA	35	62	20	36,5	47	10000	12000	0,246		55,0	1,0	4,5
NN 3008	K M NA	40	68	21	42,5	58	9000	11000	0,298		61,0	1,0	4,5
NN 3009	K M NA	45	75	23	48,5	70	8000	9500	0,382		67,5	1,0	4,5
NN 3010	K M NA	50	80	23	51,5	80	7500	9000	0,415		72,5	1,0	4,5
NN 3011	K M NA	55	90	26	69,0	100	6700	8000	0,618		81,0	1,1	4,5
NN 3012	K M NA	60	95	26	72,0	110	6300	7500	0,664		86,1	1,1	4,5
NN 3013	K M NA	65	100	26	74,0	118	6000	7000	0,705		91,0	1,1	4,5
NN 3014	K M NA	70	110	30	96,0	151	5300	6300	1,020		100,0	1,1	6,5
NN 3015	K M NA	75	115	30	96,0	153	5000	6000	1,080		105,0	1,1	6,5
NN 3016	K M NA	80	125	34	118,0	184	4800	5600	1,500		113,0	1,1	6,5
NN 3017	K M NA	85	130	34	122,0	200	4500	5300	1,580		118,0	1,1	6,5
NN 3018	K M NA	90	140	37	141,0	224	4300	5000	2,010		127,0	1,5	6,5
NN 3019	K M NA	95	145	37	146,0	236	4000	4800	2,100		132,0	1,5	6,5
NN 3020	K M NA	100	150	37	152,0	264	3800	4500	2,210		137,0	1,5	6,5
NNU 4920	K M NA	100	140	40	125,0	244	4000	4800	1,800	113,0		2,0	
NN 3021	K M NA	105	160	41	192,0	310	3600	4300	2,810		146,0	2,0	6,5
NNU 4921	K M NA	105	145	40	118,0	231	3800	4500	2,000	118,0		1,1	
NN 3022	K M NA	110	170	45	226,0	365	3400	4000	3,560		155,0	2,0	6,5
NNU 4922	K M NA	110	150	40	129,0	264	3800	4500	1,910	123,0		1,1	6,5
NN 3024	K M NA	120	180	46	235,0	405	3200	3800	3,870		165,0	2,0	6,5
NNU4924	K M NA	120	165	45	170,0	328	3400	4000	2,660	134,0		1,1	6,5
NN 3026	K M NA	130	200	52	294,0	510	3000	3600	5,760		182,0	2,0	9,5
NNU 4926	K M NA	130	180	50	193,0	371	3200	3800	3,600	146,0		1,5	6,5
NN 3028	K M NA	140	210	53	305,0	520	2800	3400	6,210		192,0	2,0	9,5
NNU 4928	K M NA	140	190	50	189,0	395	3000	3600	3,790	156,0		1,5	6,5
NN 3030	K M NA	150	225	56	339,0	600	2600	3000	7,500		206,0	2,1	9,5
NNU 4930	K M NA	150	210	60	326,0	645	2600	3200	6,460	168,5		2,0	
NNU 4932	K M NA	160	220	60	322,0	652	2600	3000	6,380	178,0		2,0	
NN 3034	K M NA	170	260	67	458,0	810	2200	2600	12,400		236,0	2,1	9,5
NNU 4934	K M NA	170	230	60	335,0	718	2400	3000	7,210	188,5		2,0	6,5
NN 3036	K M NA	180	280	74	576,0	1080	2000	2600	16,300		255,0	2,1	12,2
NN 3036	K M NA	180	280	74	576,0	1080	2000	2600	16,300		255,0	2,1	12,2
NNU 4952	K M NA	260	360	100	745,0	1780	1600	1900	31,000	292,0		2,1	
NN 3056	K M NA	280	420	106	1110	1985	1400	1700	49,5		384	4,0	15,0
NNU 4960	K M NA	300	420	118	1075	2410	1300	1600	50,5	339		3,0	
NNU 4960	K M NA	300	420	118	1075	2410	1300	1600	50,5	339		3,0	
NNU 4964	K M NA	320	440	118	1115	2581	1300	1500	54,5	359		3,0	
NNU 4172	M	360	600	243	3900	8500	900	1100	275			3,0	
NNU 4972	M	360	480	118	1120	2800	1120	1400	55,0	399		3,0	3,0
NN 3076	K M NA	380	560	135	1640	3650	1000	1200	111,0		513	5,0	16,7
NNU 4976	K M NA	380	520	140	1485	3760	1100	1300	91,0	426		4,0	

## DOUBLE ROW CYLINDRICAL ROLLER BEARINGS



Option: Cylindrical bore; W33

Bearing		Principal dimensions			Load ratings		Speed limits		Weight	Dimensions			
Type	Version	d mm	D	B	Co kN	Cor kN	grease r/min	oil r/min	kg	F	E	rs mm	ns
NNU 4976	K M NA	380	520	140	1485	3760	1100	1300	91,0	426		4,0	
NNU 4992	K M NA	460	620	160	2135	5543	900	1100	143,0	510		4,0	
NNU 49/500	K M NA	500	670	170	2715	6920	800	1000	178,0	552		5,0	
NNU 49/530	K M NA	530	710	180	3140	8845	800	950	218,0	588		5,0	
NNU 49/630	K M NA	630	850	218	3835	10716	670	800	368,0	704		6,0	