

NEW

Picker Actuator

Pneumatic cylinder with ball-grid polygon guide

www.mysamick.com

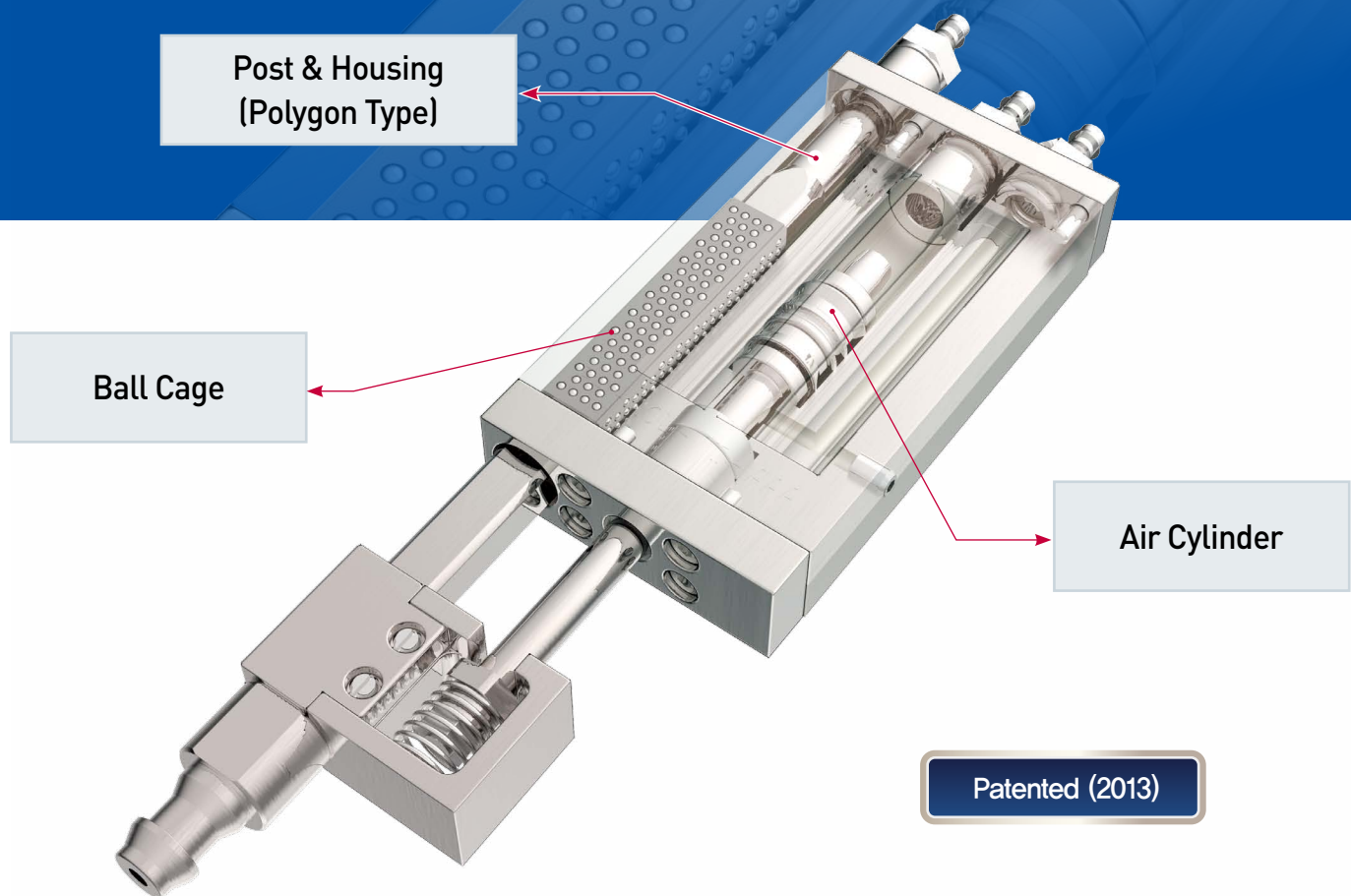


High precision / high rigidity / long life

 **SAMICK**

Picker actuator with polygon guide

Pneumatic pick & place actuator



Features

1) High precision

Stable accuracy maintained by ball-grid polygon guide

2) High rigidity

Polygon guide minimizes blurring and vibration, improving straightness

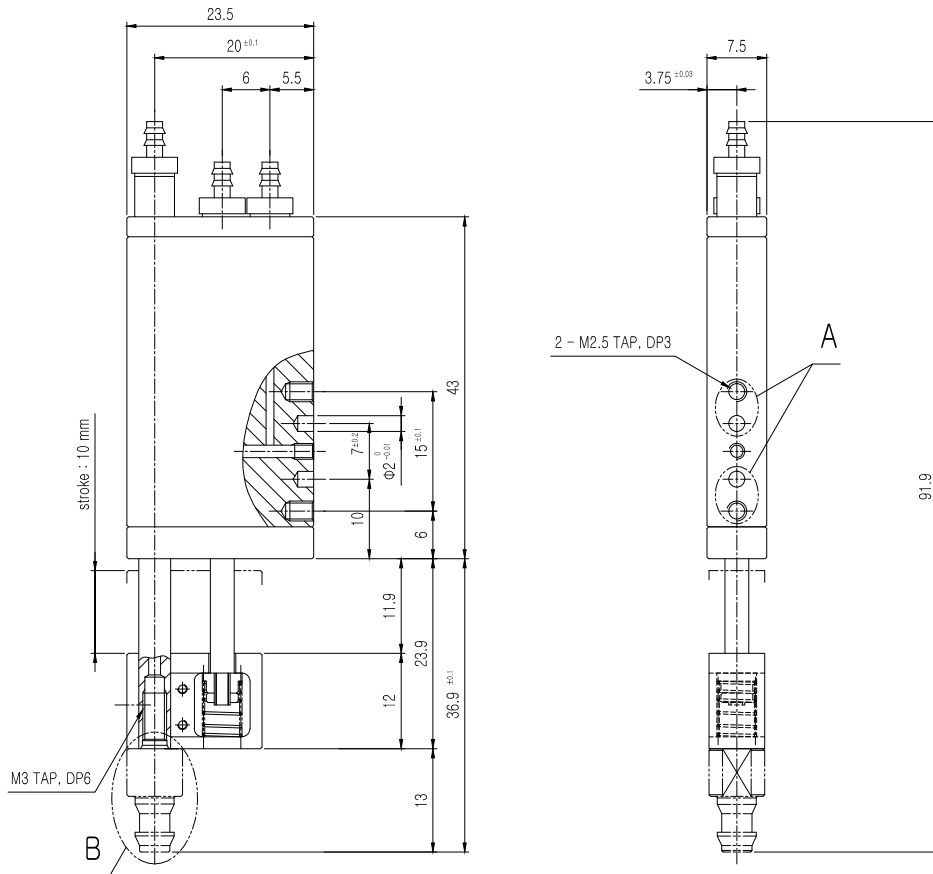
3) Long service life

Ball-grid guide structure on a polygonal shaft maximizes contact area, providing increased load capacity and longer service life

Usages

Ideal for systems transporting or sorting small parts, such as semiconductors, LED chips, and small lenses

Specifications and dimensions



Items	Specification
Guide POST	PBG05 (Basic static load rating: 250N, Basic dynamic load rating: 180N)
Guide preload	20 ~ 40g (Initial rolling resistance)
Guide run-out amount ⁽¹⁾	Under 30 μ m
Size(Width x Height x Thickness)	23.5 x (91.9) x 7.5
Weight	50.5g
Installation hardware (A part) ⁽²⁾	M2.5 – 2 places , Basis pin(Φ 2) – 2 places
Operating temperature range	0°C ~ 80°C
Operating pressure range	Max. 5kgf/cm ² , Min. 1.5kgf/cm ²
Thrust under zero load	Max. 1400g, Min. 423g
Air, vacuum nipple	M3 Tap
Repeatability of forward movement	\pm 0.02mm
Stroke	10mm
Spring constants on cushion part	30g/mm
Lifespan ⁽³⁾	5 million stroke
Adaptor (B part) ⁽⁴⁾	M3 Tap fixing

Note 1. The amount of run-out when applying 400gram tension to post orthogonal direction during the movement

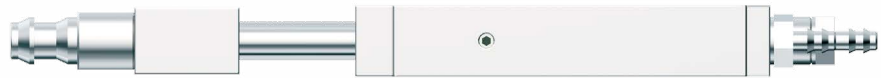
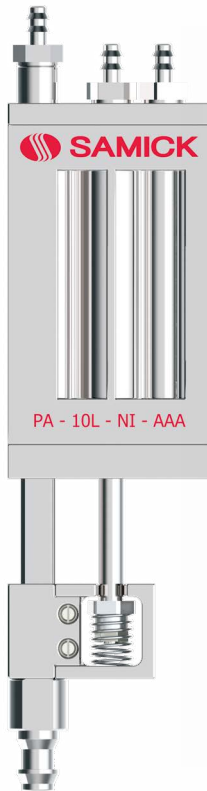
Note 2. Custom design available for installation hardware

Note 3. Lifespan will be determined in accordance with the conditions of use under the air pressure 2kgf/cm² .

The lifespan may be different depending on the operating environment.

Note 4. Adaptor shape is available upon customers' request

Picker Actuator



Copyright of all the contents of this article is owned by Samick Precision Ind. Co., Ltd.
The information contained in this document may be subject to change without prior notice.

Published by | Samick Precision Ind. Co., Ltd.

 **SAMICK PRECISION IND. CO., LTD.**

39, Seongseogongdannam-ro, 32-gil, Dalseo-Gu, Daegu, Korea (South)

E-mail | marketing@mysamick.com Web site | www.mysamick.com

Telephone | +82-53-666-7100 Fax | +82-53-583-4669